

Specifications



Certifications



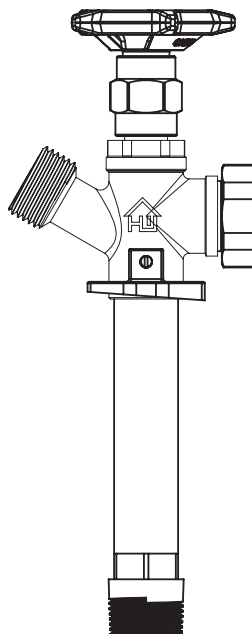
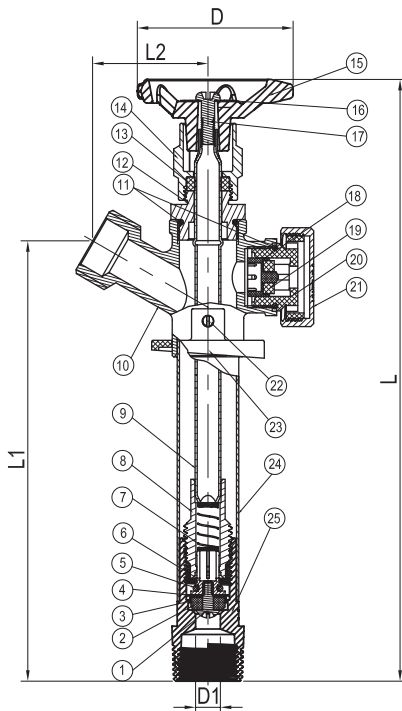
VFF-ASP-G15PA
 VFF-ASP-G17PA
 VFF-ASP-G19PA
 VFF-ASP-G15B
 VFF-ASP-G17B
 VFF-ASP-G19B

Physical Characteristics

- Description: Anti-Siphon Frost-Free Sillcock – Brass
- Connection Type: 3/4" Male Thread & Female Thread
- 3/4" hose thread outlet
- With integral vacuum breaker
- Handle Color: Brown
- Max. Operating Temp. Rating: 60° F
- Max. Operating Pressure Rating: 125 PSI
- Meets ASSE 1019-A Standard
- Meets ASME A112.18.1/CSA B125 Standards

PART NO.	SIZE	L		L1		L2		D		D1		WEIGHT (LBS)
VFF-ASP-G15PA	8"	333.2-339.2	13.1 - 13.3	280.2	11.0	42	1.7	62	2.4	9	0.35	-
VFF-ASP-G17PA	10"	384.0-390.0	15.1 - 15.3	331.0	13.0	42	1.7	62	2.4	9	0.35	1.00
VFF-ASP-G19PA	12"	434.8-440.8	17.1 - 17.3	381.8	15.0	42	1.7	62	2.4	9	0.35	-

PART NO.	SIZE	L		L1		L2		D		D1		WEIGHT (LBS)
VFF-ASP-G15B	8"	333.2-339.2	13.1 - 13.3	280.2	11.0	42	1.7	62	2.4	9	0.35	-
VFF-ASP-G17B	10"	384.0-390.0	15.1 - 15.3	331.0	13.0	42	1.7	62	2.4	9	0.35	1.00
VFF-ASP-G19B	12"	434.8-440.8	17.1 - 17.3	381.8	15.0	42	1.7	62	2.4	9	0.35	-



NO.	DESCRIPTION	MATERIAL
1	Screw	Brass
2	Bottom washer	Rubber
3	Washer	Brass
4	Gasket	Rubber+cotton
5	O-ring	Rubber
6	Stem	Brass
7	Spring	SUS
8	Stem connector	Brass
9	Stem	Brass
10	Body	Brass
11	O-ring	Rubber
12	Bonnet	Brass
13	Washer	Rubber
14	Valve cap	Zinc
15	Handle	Cast iron
16	Name plate	Aluminum
17	Handle screw	Brass
18	Poppet	HDPE
19	Housing washer	Rubber
20	Housing	POM
21	Cap	ABS
22	Screw	SUS
23	Flange	POM
24	Tube	Brass
25	Connector	Brass